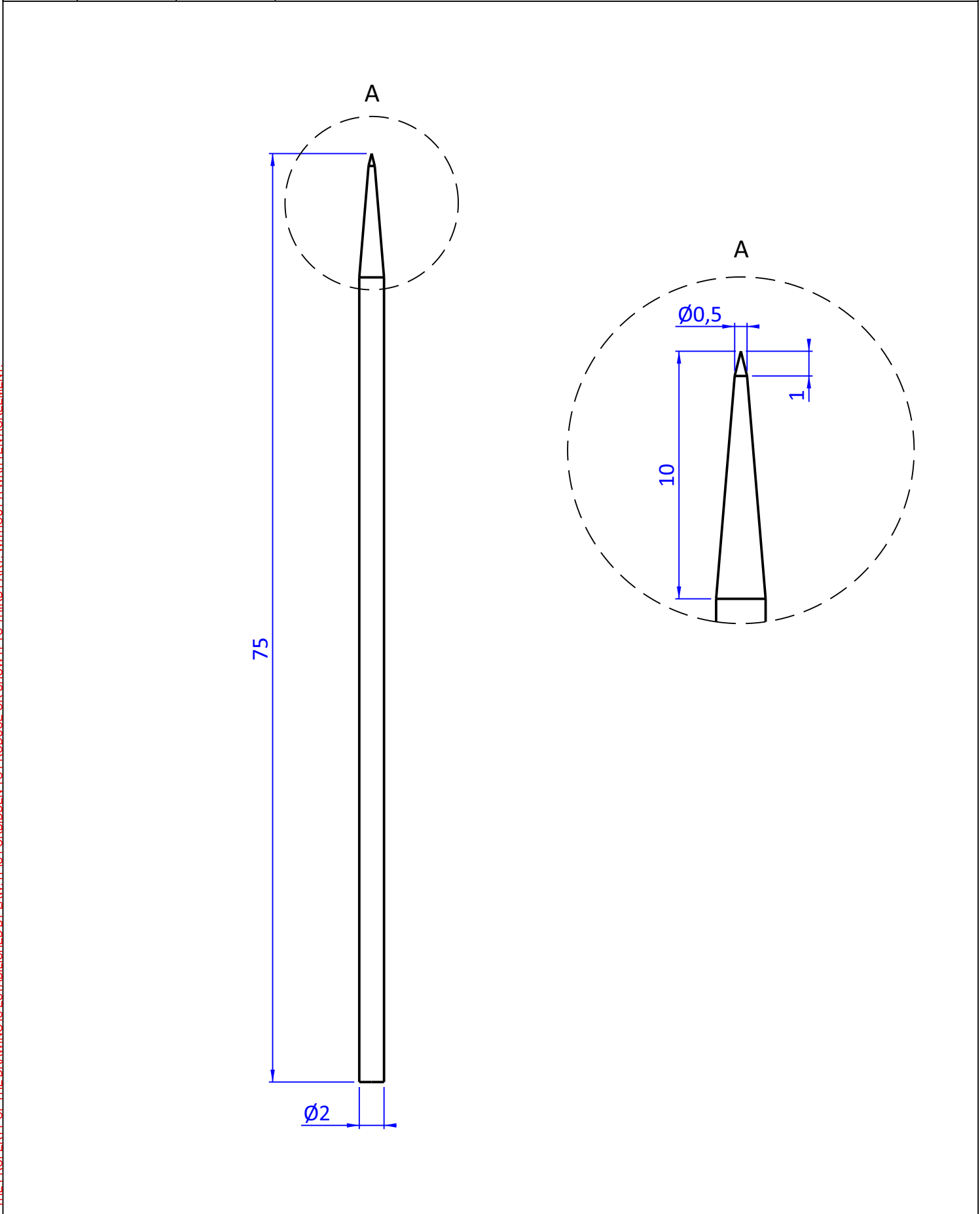

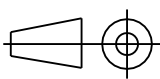


THE PROPERTY OF THE DRAWING IS ESTABLISHED BY LAW. IT IS FORBIDDEN TO PRODUCE OR SHOW IT TO THIRD PART, WITHOUT A WRITTEN AGREEMENT.

A	16/05/2023	Zanotti A.	CAMBIATO PROFILO AFFILATURA
---	------------	------------	-----------------------------



Format A4 UNI 936-76	 FPS FPSERVICES AUTOMATION			DESIGNED FROM FPS Automation	REVIEW A	SCALA 5 : 2
	GENERAL TOLERANCE UNI - ISO 2768 CLASSE f	MATERIALE Steel		DATE 16/05/2023	WEIGHT 0,002kg	
				CODE PAA.CF.03.1		